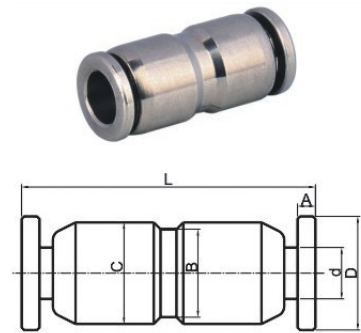


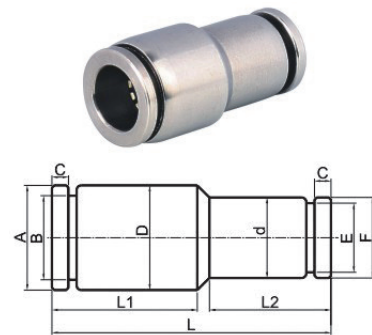
PU- 不锈钢双插直通

规格	A	B	C	D	d	L
PU4-4	2	8.5	10	10	4.2	31
PU6-6	2	10.5	12	12	6.2	31
PU8-8	2	12.6	14	14	8.2	32
PU10-10	2	16.5	18	16	10.2	34
PU12-12	2	18.5	20	18	12.2	34
PU14-14	2	20	22	20	14.2	34
PU16-16	2	22	24	22	16.2	36



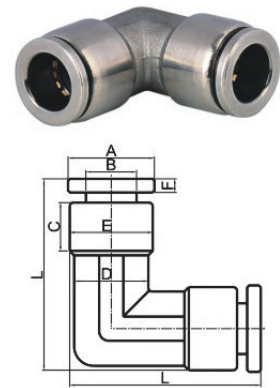
PG- 不锈钢变径直通

规格	A	B	C	D	d	E	F	L
PG6-4	12	6.2	2	12.5	10.5	4.2	10	33
PG8-6	14	8.2	2	14	12	6.2	12	33
PG10-6	16	10.2	2	17.5	12.5	6.2	12	33
PG10-8	16	10.2	2	17	14	8.2	14	33
PG12-8	18	12.2	2	19	14	8.2	14	33
PG12-10	18	12.2	2	20	18	10.2	16	33
PG14-10	20	14.2	2	21	18	10.2	16	33
PG14-20	20	14.2	2	21	19	12.2	18	33



PV- 不锈钢双插弯头

规格	A	B	C	D	E	F	L
PV4-4	10	4.2	12	8	10	2	27
PV6-6	12	6.2	12	10	12	2	29.5
PV8-8	14	8.2	12	12	14	2	31
PV10-10	16	10.2	12	15	17	2	33.3
PV12-12	18	12.2	12	17	19	2	36
PV16-16	22	16.2	12	20	23	2	40



PE- 不锈钢快插三通

规格	A	B	C	D	E	F	H	L
PE4-4	10	4.2	11	8	10	2	26.5	43.5
PE6-6	12	6.2	11	10	12	2	29	45
PE8-8	14	8.2	12	12	14	2	31.4	49
PE10-10	16	10.2	12	15	17	2	33.5	50.5
PE12-12	18	12.2	12	17	19	2	35	53
PE14-14	20	14.2	12	20	22	2	40	58
PE16-16	22	16.2	12	20	23	2	40.5	59

